

# AUGUST AT WASTEWATER TREATMENT PLANTS



AUGUST

**TIMOTEK.EE**

Edullisemmin Eestistä ja  
Euroopasta



# AT line

The line of AT wastewater treatment plants has been updated and expanded.

New markings have been introduced to facilitate product identification.

The housing of the AT series wastewater treatment equipment is reinforced with four rigid edges around the perimeter.



# AT- K line

AT-K line wastewater treatment plants are produced with a conical reduction of the cover.

The housing of the plant is reinforced around the perimeter with four horizontal and three vertical stiffening edges.

The height of the device is adjusted with an additional extension.



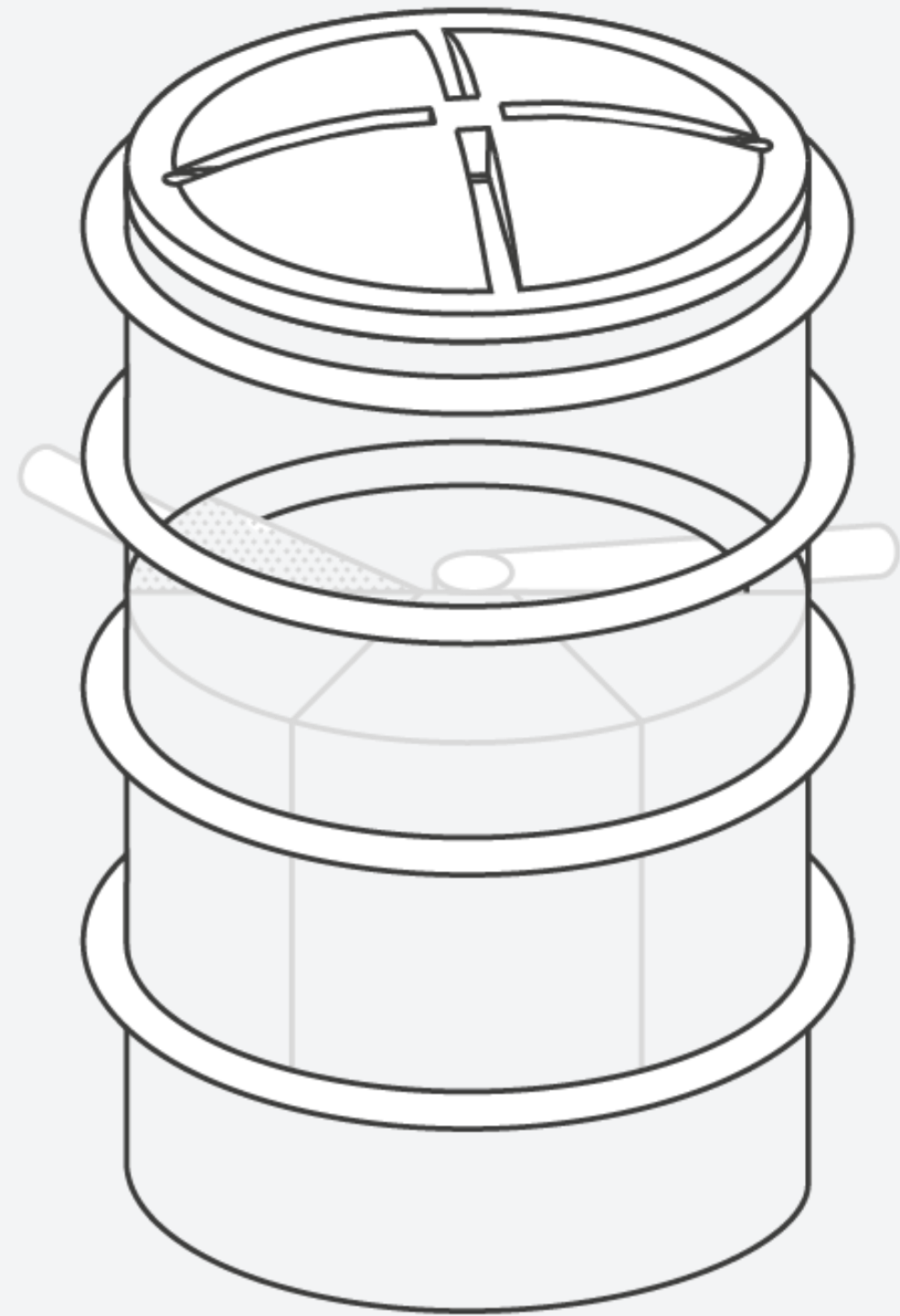
# AT- T line

AT-T line wastewater treatment plants are produced with telescopic cover.

The housing of the devices is reinforced around the perimeter with four AT6-T/five AT8-T horizontal and three vertical stiffening edges.

The height of the plant is adjustable with a telescopic cover and an additional extension.

# AT SPECIFICATIONS



AT6 wwtp height, mm	1800
---------------------	------

Inlet height (at the top of the pipe),mm	400
--	-----

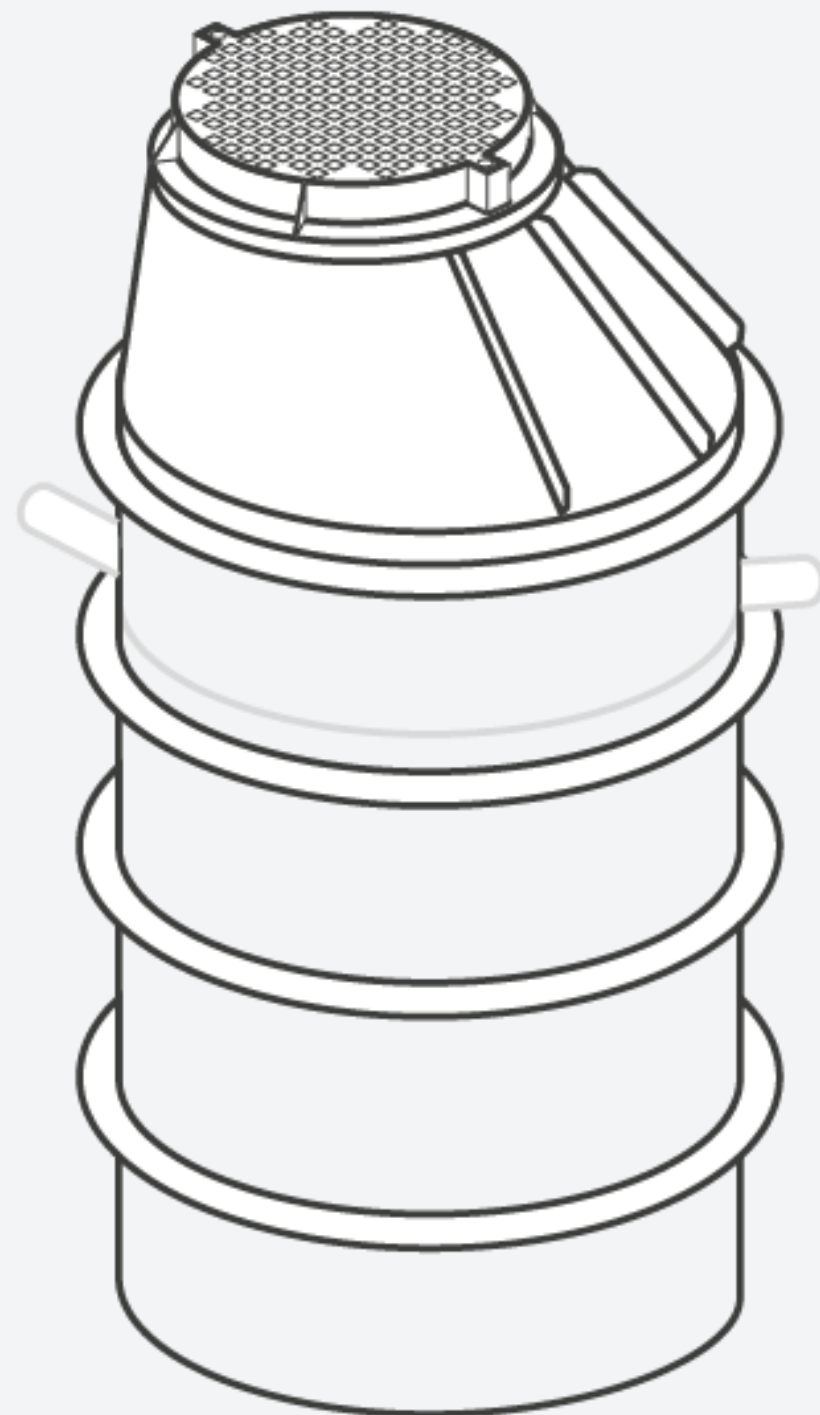
AT8 wwtp height, mm	2200
---------------------	------

Inlet height (at the top of the pipe),mm	400
--	-----

AT10 wwtp height, mm	2200
----------------------	------

Inlet height (at the top of the pipe),mm	400
--	-----

# AT-K SPECIFICATIONS



AT6-K wwtp height, mm	2120
-----------------------	------

Inlet height (at the top of the pipe),mm	710
--	-----

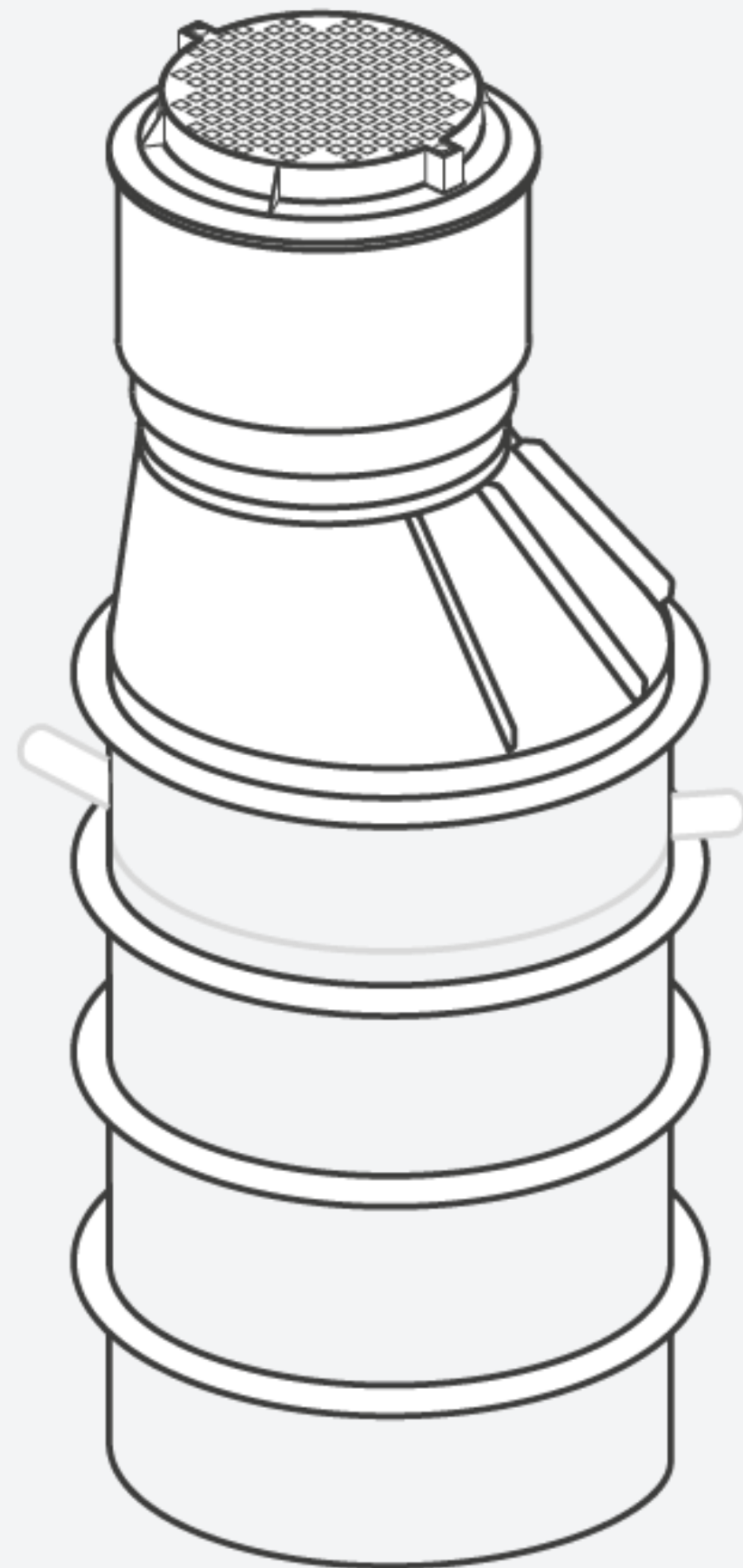
AT8-K wwtp height, mm	2520
-----------------------	------

Inlet height (at the top of the pipe),mm	710
--	-----

AT10-K wwtp height, mm	2690
------------------------	------

Inlet height (at the top of the pipe),mm	880
--	-----

# AT-T SPECIFICATIONS



AT6-T wwtp height, mm 2410 - 2550

Inlet height (at the top of the pipe),mm 1000 - 1145

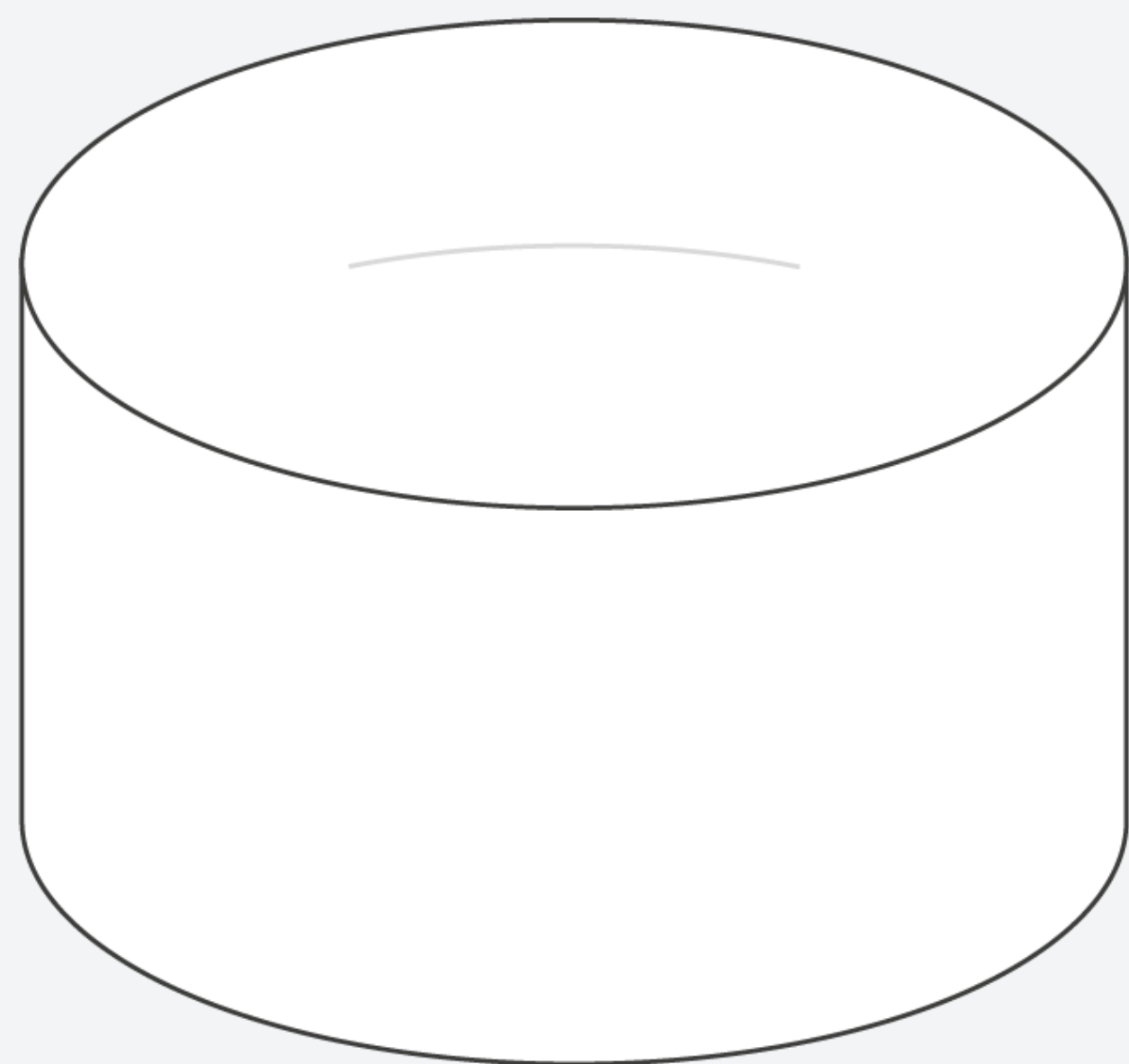
AT8-T wwtp height, mm 2810 - 3000

Inlet height (at the top of the pipe),mm 1000 - 1145

AT10-T wwtp height, mm 2980 - 3125

Inlet height (at the top of the pipe),mm 1170 - 1315

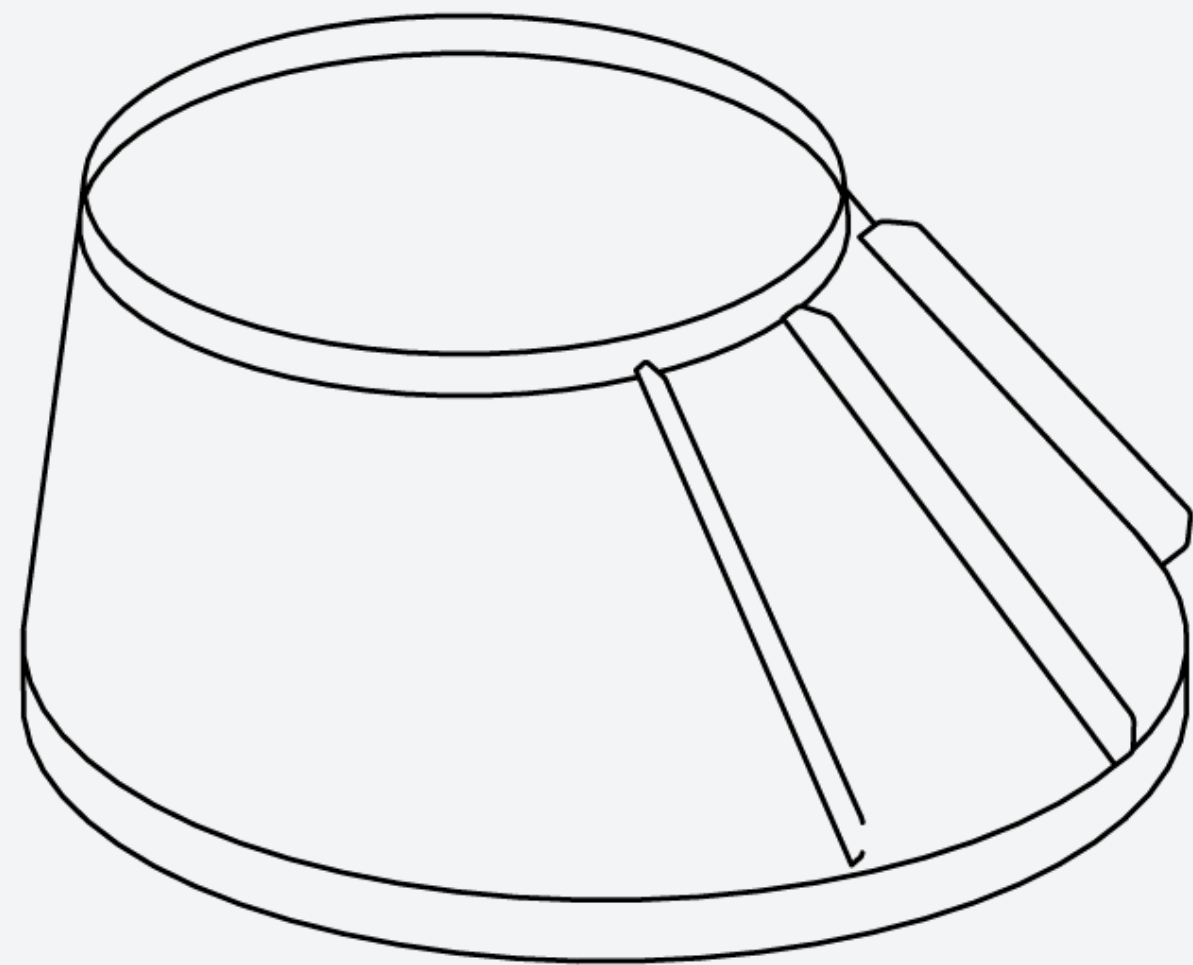
# AT EXTENSION



Minimum step, mm	100
Maximum height, mm	800



# AT COVER REDUCTION

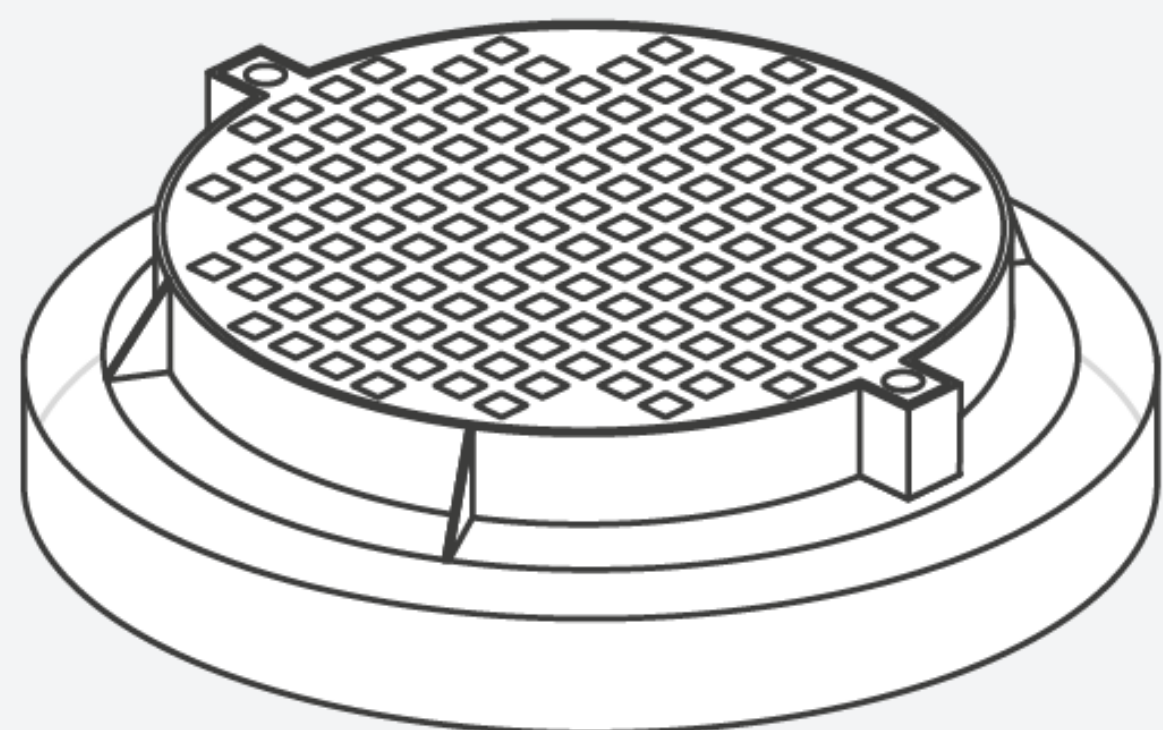


Attachment height, mm	610
-----------------------	-----

Working height, mm	530
--------------------	-----

Cover diameter, mm	600
--------------------	-----

# AT6-10-K COVER



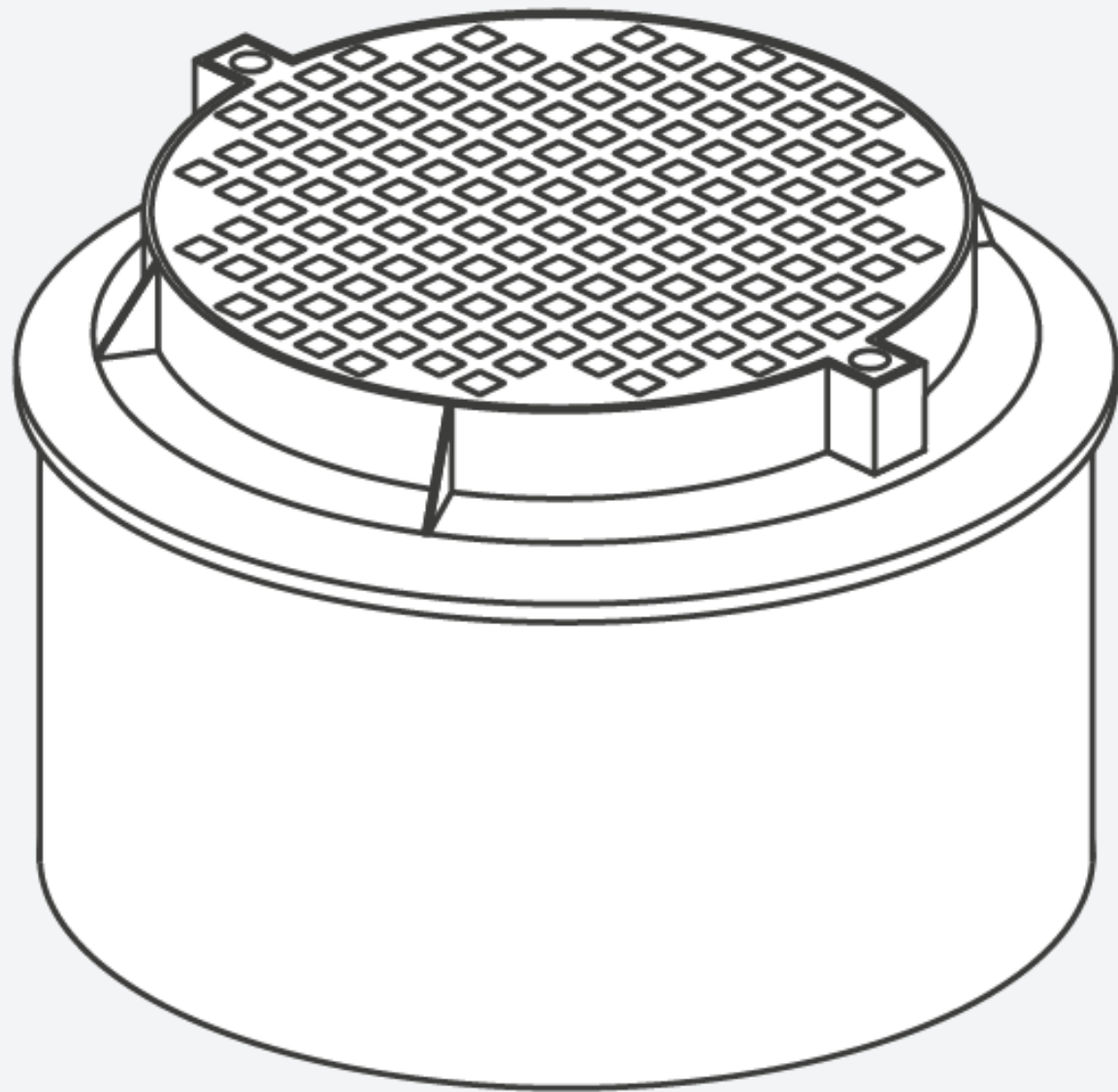
Attachment height, mm	140
-----------------------	-----

Working height, mm	90
--------------------	----

Cover diameter, mm	600
--------------------	-----

# AT6-10-T COVER

AT6-10-K/T  
DANGTIS

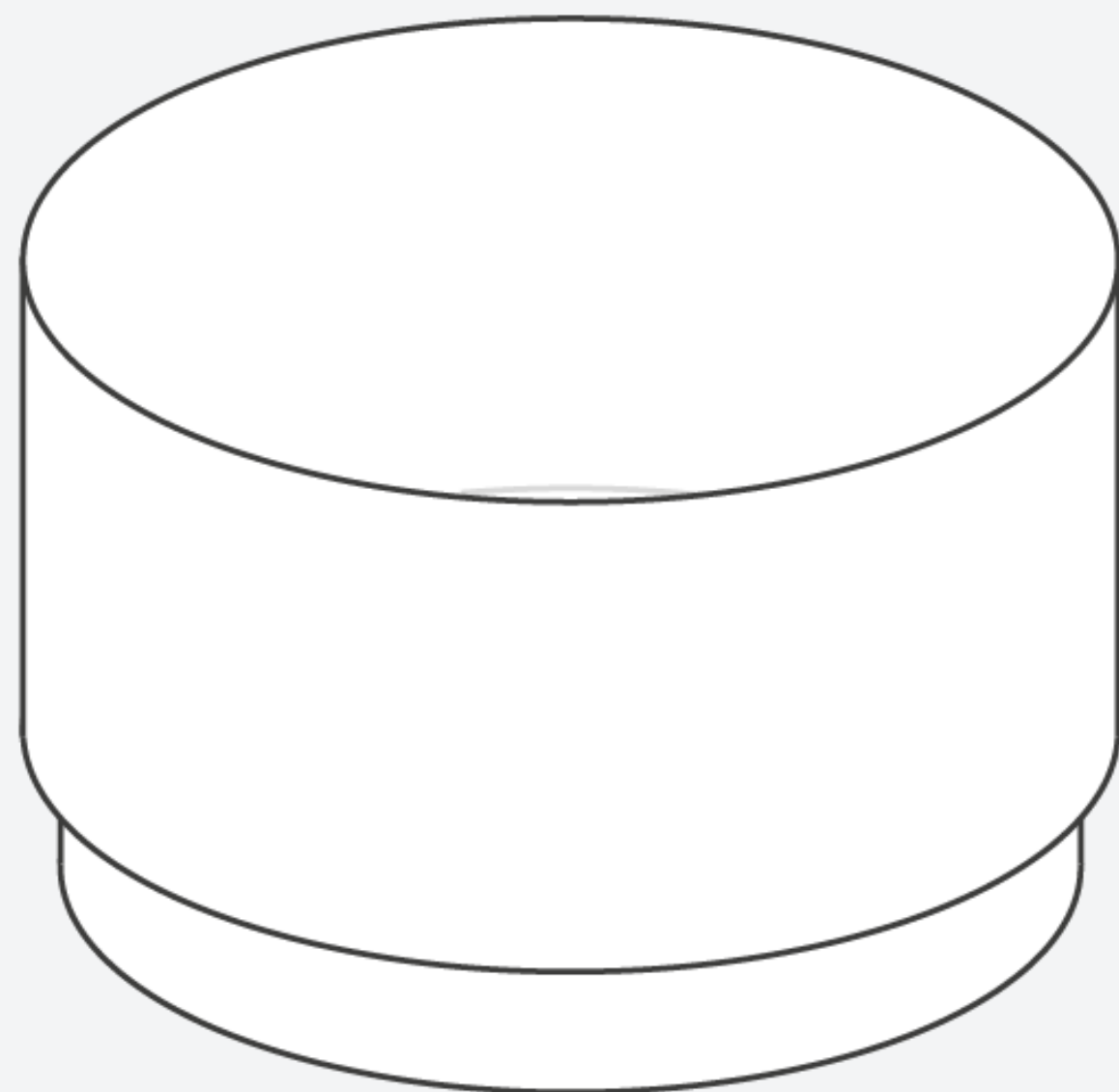


Attachment height, mm	460
-----------------------	-----

Working height, mm	360
--------------------	-----

Cover diameter, mm	600
--------------------	-----

# AT6-10-K/T EXTENSION



Minimum step, mm	100
Maximum height, mm	800

# AVAILABLE MODIFICATIONS

<b>ACCESSORIES</b>	<b>AT</b>	<b>AT-K</b>	<b>AT-T</b>
Extension d1350, mm	○		
Cover reduction	○	●	
AT-K/ AT-T Extensions d900, mm	○	○	○
Telscopic cover reduction	○		●
AT-K cover d600, mm		●	●
AT-T cover d600, mm		●	●
Lock set	○		
Accessory in	●		
Additional accessory	○		